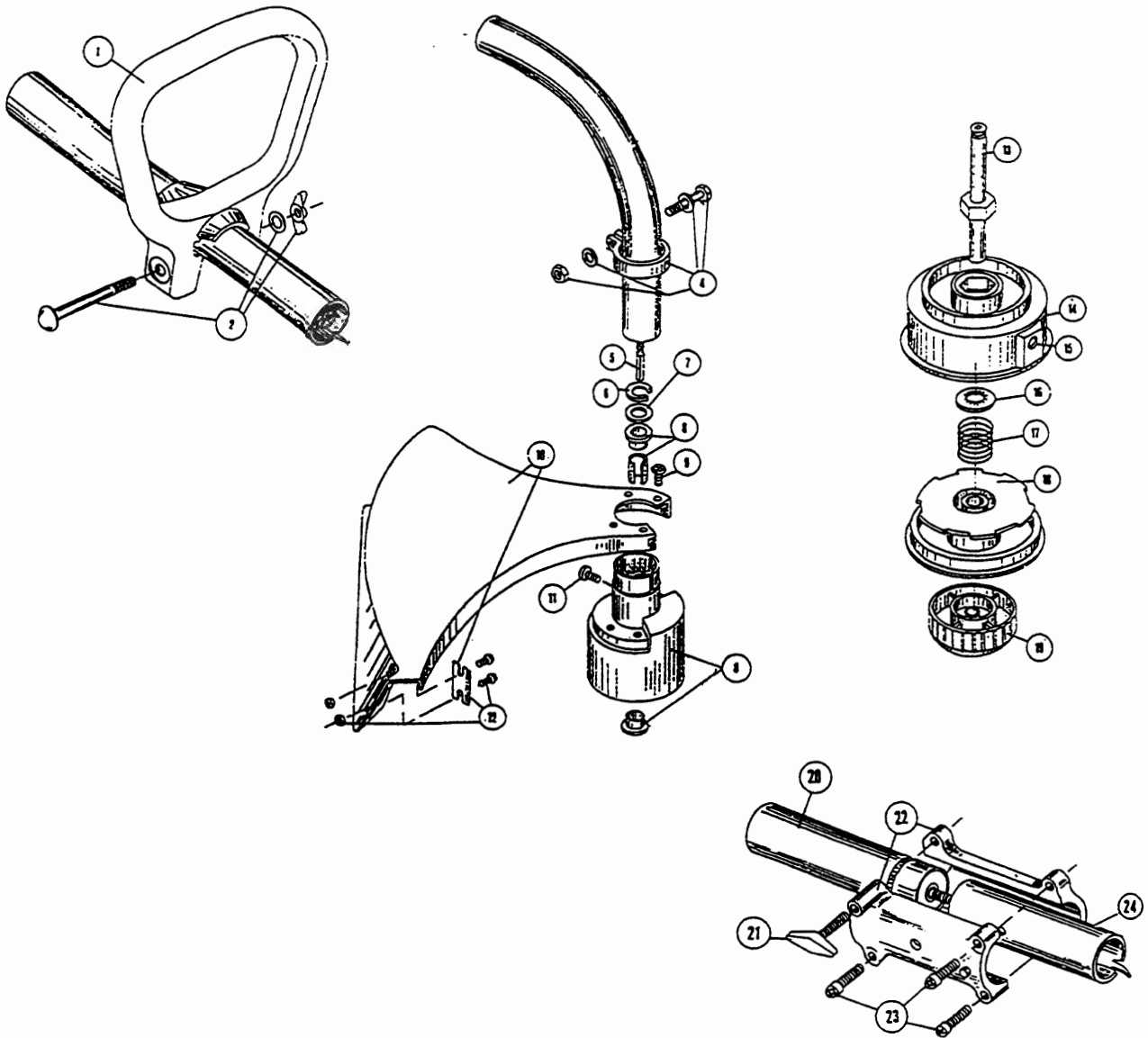


Item	Part No.	Description
1	180147	Motor Cover Screw Set
2	145569	Anti-Rotation Screw
3	180149	Motor Housing Assembly
4	180150	Switch
5	180151	Trigger

Item	Part No.	Description
6	180152	Driver
7	180154	Motor
8	180155	Fan
9	180156	Power Cord

The above part numbers are for serial numbers 912089001 thru 211011805.

# BOOM AND TRIMMER PARTS-IDC 120



Item	Part No.	Description
1	145819	D-Handle
2	153523	D-Handle Hardware Assembly
4	153597	Lower Clamp Assembly
5	682064	Flexible Drive Shaft
6	145570	Retaining Ring
7	145567	Washer
8	153312	Bushing Housing Assembly
9	153318	Guard Mounting Screws
10	180115	Guard and Blade Assembly
11	145569	Anti-Rotation Screw
12	682061	Blade Assembly
13	153313	Spool Shaft
14	153619	Outer Spool and Eyelet Assembly
15	145566	Eyelet

Item	Part No.	Description
16	610660	Retainer (10 pack)
17	610317	Spring
18	153600	Inner Reel
19	153066	Bump Head Knob
20	180116	Upper Drive Shaft Housing
21	147643	Adjustment Knob
22	153671	Split-Boom Coupling Set
23	683074	Coupling Bolt Set
24	153670	Lower Drive Shaft Housing

### Optional Accessories

- 610375 Monofil Cutting Line (50 ft.)
- 153577 Spool and Line (30 ft.) Assembly
- not shown